

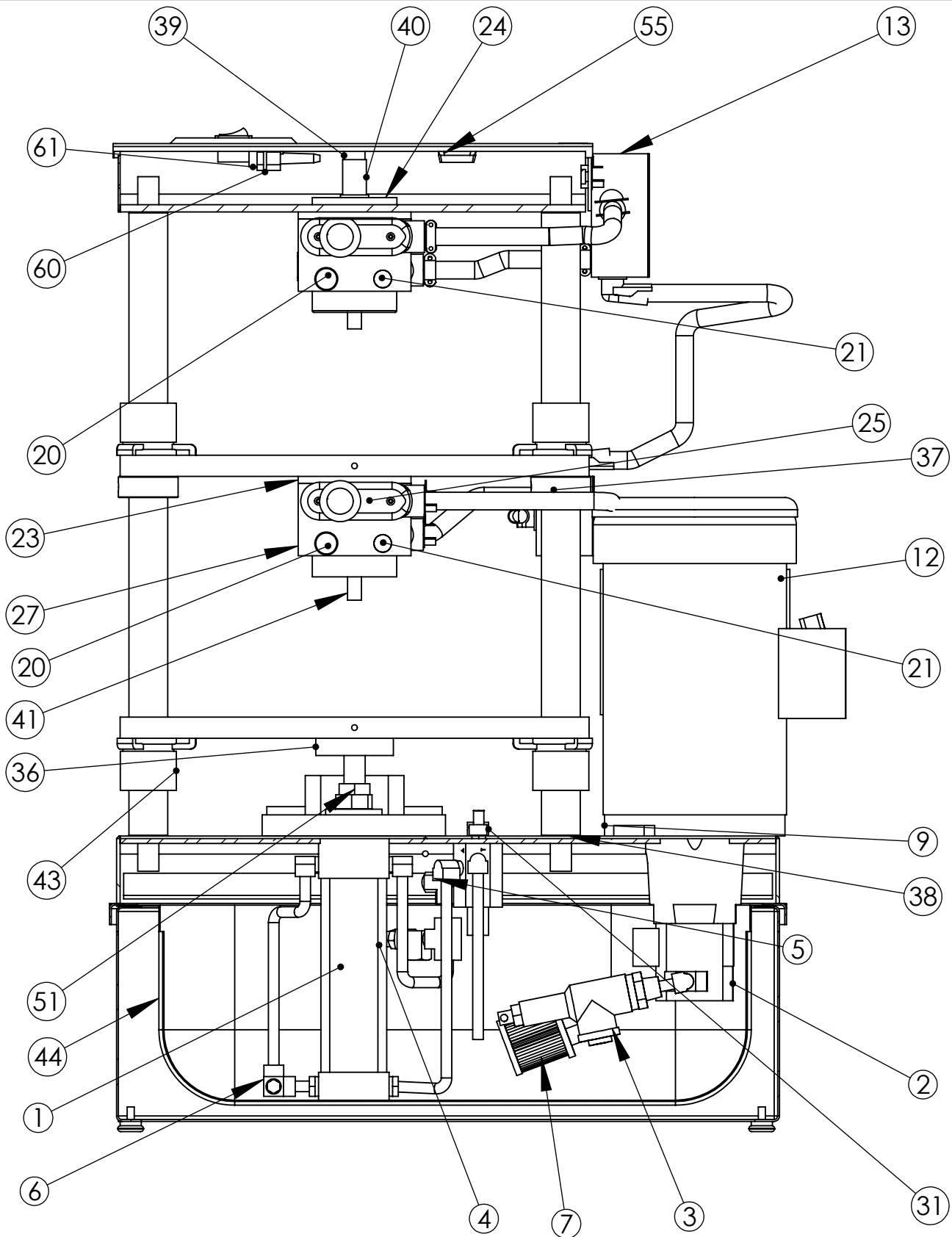
PROPRIETARY AND CONFIDENTIAL
 THE INFORMATION CONTAINED IN THIS DRAWING IS THE SOLE PROPERTY OF COMTEC INDUSTRIES LTD. ANY REPRODUCTION IN PART OR AS A WHOLE WITHOUT THE WRITTEN PERMISSION OF COMTEC INDUSTRIES LTD IS PROHIBITED.

		DIMENSIONS ARE IN INCHES TOLERANCES: FRACTIONAL ± ANGULAR: MACH ± BEND ± TWO PLACE DECIMAL ± THREE PLACE DECIMAL ±
		MATERIAL
NEXT ASSY	USED ON	FINISH
APPLICATION		DO NOT SCALE DRAWING

	NAME	DATE
DRAWN		14NO12
CHECKED		
ENG APPR.		
MFG APPR.		
Q.A.		
COMMENTS:		

Model 2200, 60 Hz

SIZE A	DWG. NO. 200D2460	REV. B
SCALE: 1:20	WEIGHT:	SHEET 1 OF 5



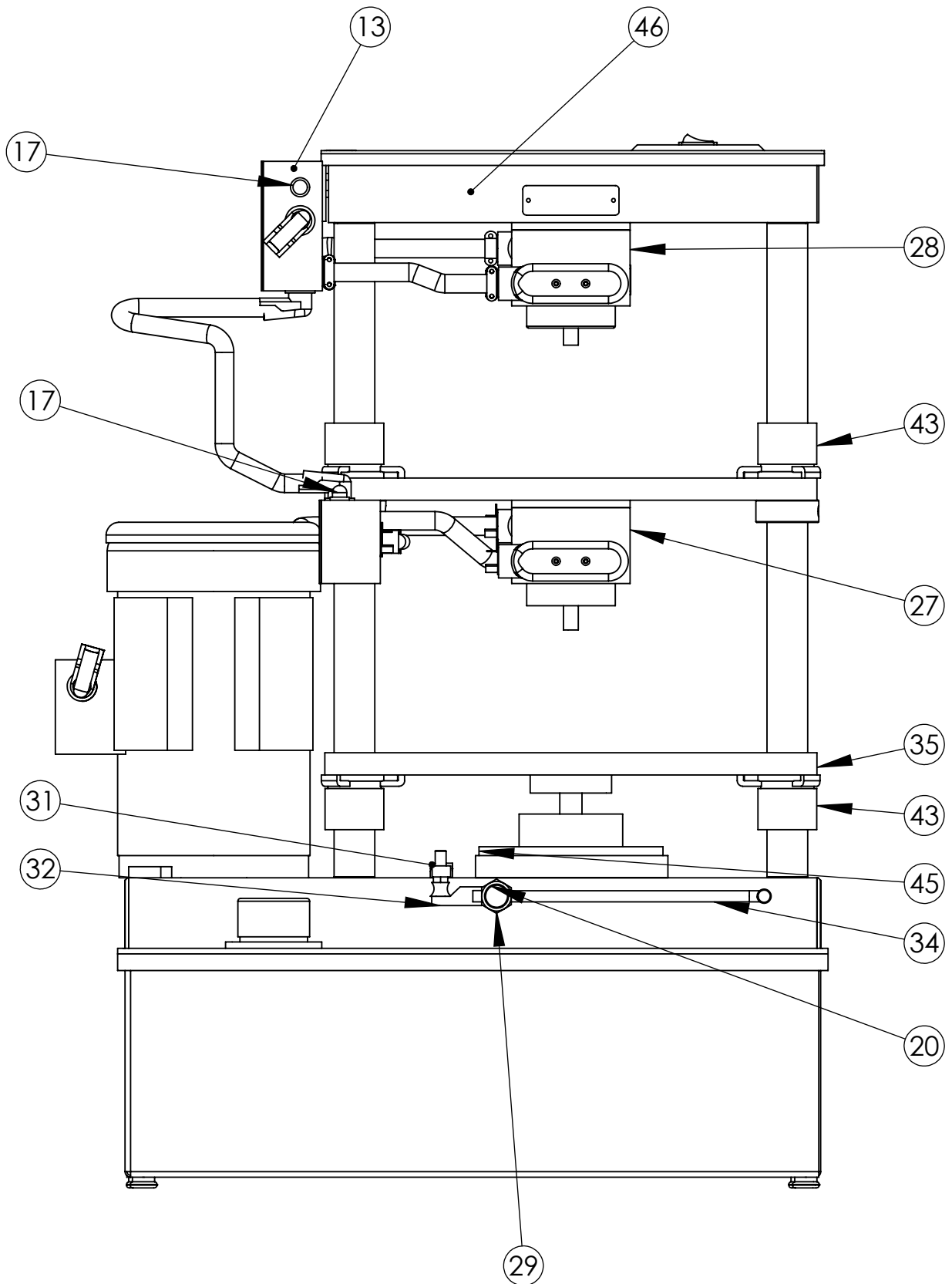
PROPRIETARY AND CONFIDENTIAL
 THE INFORMATION CONTAINED IN THIS DRAWING IS THE SOLE PROPERTY OF COMTEC INDUSTRIES LTD. ANY REPRODUCTION IN PART OR AS A WHOLE WITHOUT THE WRITTEN PERMISSION OF COMTEC INDUSTRIES LTD IS PROHIBITED.

		DIMENSIONS ARE IN INCHES TOLERANCES: FRACTIONAL ± ANGULAR: MACH ± BEND ± TWO PLACE DECIMAL ± THREE PLACE DECIMAL ±
		MATERIAL
NEXT ASSY	USED ON	FINISH
APPLICATION		DO NOT SCALE DRAWING

	NAME	DATE
DRAWN		14NO12
CHECKED		
ENG APPR.		
MFG APPR.		
Q.A.		
COMMENTS:		

Model 2200, 60 Hz

SIZE	DWG. NO.	REV.
A	200D2460	B
SCALE: 1:20	WEIGHT:	SHEET 2 OF 5

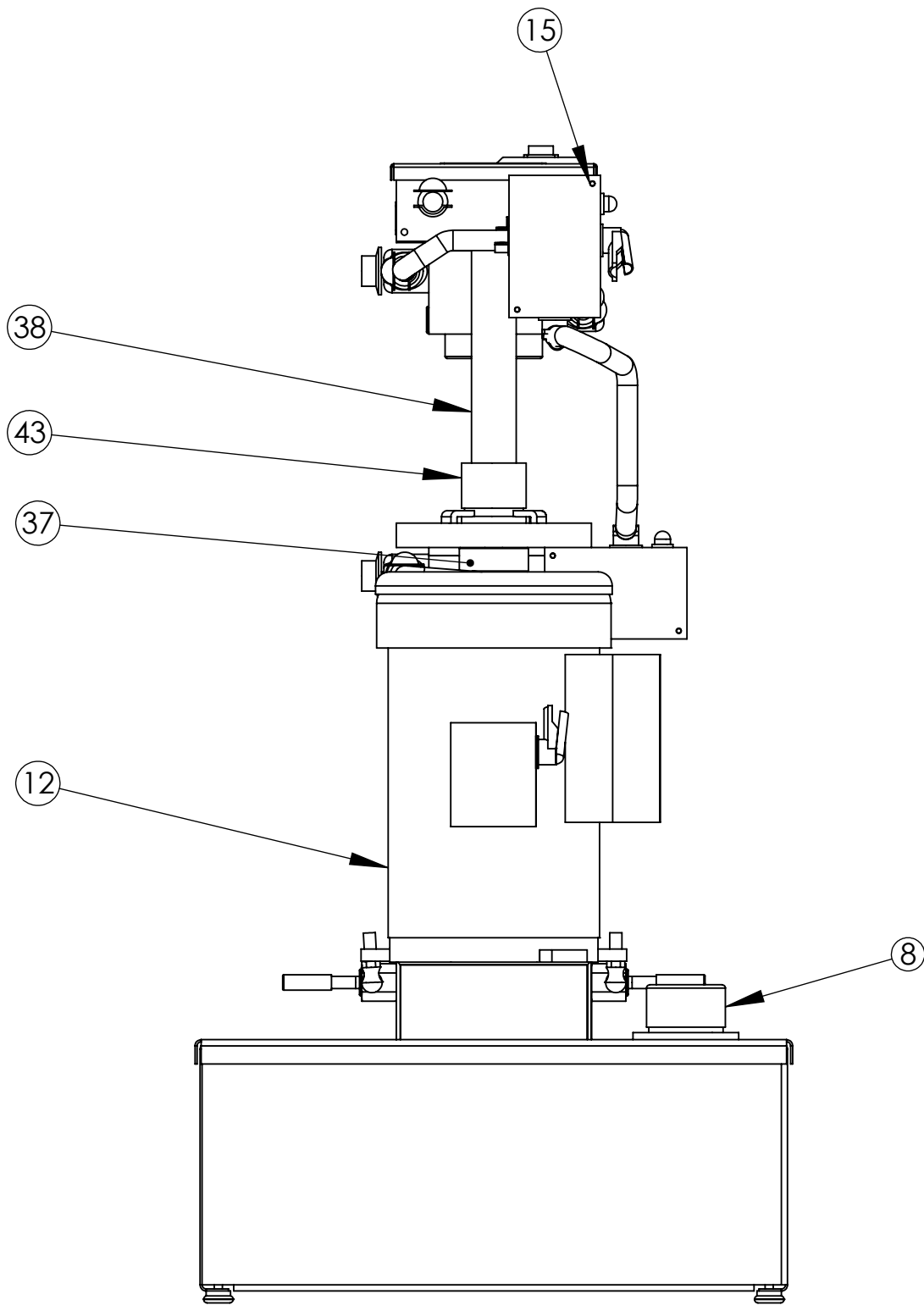


PROPRIETARY AND CONFIDENTIAL
 THE INFORMATION CONTAINED IN THIS DRAWING IS THE SOLE PROPERTY OF COMTEC INDUSTRIES LTD. ANY REPRODUCTION IN PART OR AS A WHOLE WITHOUT THE WRITTEN PERMISSION OF COMTEC INDUSTRIES LTD IS PROHIBITED.

		DIMENSIONS ARE IN INCHES TOLERANCES: FRACTIONAL ± ANGULAR: MACH ± BEND ± TWO PLACE DECIMAL ± THREE PLACE DECIMAL ±
		MATERIAL
		FINISH
NEXT ASSY	USED ON	
APPLICATION		DO NOT SCALE DRAWING

	NAME	DATE
DRAWN		14NO12
CHECKED		
ENG APPR.		
MFG APPR.		
Q.A.		
COMMENTS:		

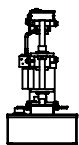
<h1>Model 2200, 60 Hz</h1>		
SIZE	DWG. NO.	REV.
A	200D2460	B
SCALE: 1:20	WEIGHT:	SHEET 3 OF 5



PROPRIETARY AND CONFIDENTIAL
 THE INFORMATION CONTAINED IN THIS DRAWING IS THE SOLE PROPERTY OF COMTEC INDUSTRIES LTD. ANY REPRODUCTION IN PART OR AS A WHOLE WITHOUT THE WRITTEN PERMISSION OF COMTEC INDUSTRIES LTD IS PROHIBITED.

		DIMENSIONS ARE IN INCHES TOLERANCES: FRACTIONAL ± ANGULAR: MACH ± BEND ± TWO PLACE DECIMAL ± THREE PLACE DECIMAL ±		NAME	DATE		
		MATERIAL		DRAWN	14NO12		
		FINISH		CHECKED			
NEXT ASSY	USED ON			ENG APPR.			
APPLICATION		DO NOT SCALE DRAWING		MFG APPR.			
				Q.A.			
				COMMENTS:			
				<h1>Model 2200, 60 Hz</h1>			
						SIZE	DWG. NO.
						A	200D2460
				SCALE:1:20	WEIGHT:		
				REV. B			
				SHEET 4 OF 5			

ITEM NO.	PART NUMBER	DESCRIPTION	QTY.
1	00100300	Hydraulic Cylinder	1
2	00100500	Pump, Hydraulic	1
3	00100700	Valve, High Relief	1
4	00100800	Valve, Low Relief	1
5	00101150	Valve, 4 way Check	1
6	00101200	Valve, Cylinder Check	1
7	00101300	Suction Strainer	1
8	00101400	Filler Breather Assembly	1
9	00101500	Pump Spacer	1
10	00102200	Cross, Brass, Female	1
11	00102400	Hose barb, nylon, Black	1
12	00200300	Electric Motor, Model 2200, 60 Hz	1
13	00201120	Junction Box, Model 2200 Upr, 60 Hz	1
14	00201130	Junction Box, Model 2200 Lwr, 60 Hz	1
15	00201200	Electrical Junction Box Cover	2
16	00204200	TERMINAL STRIP, 2 Pole	1
17	00204800	Indicator Light, Red	2
18	00300000	Thermostat Cover	2
19	00300100	Heater Cover	2
20	00502300	Plug Button, Heater Block	6
21	00300600	Heating Element, 240V	4
22	00301100	Insulator, Outer Crown	1
23	00301150	Insulator, Outer Crown Lower	1
24	00301200	Insulator, Inner Crown	1
25	00301300	Thermostat	2
26	00301500	Dial Knob	2
27	00301600	Heater Block - 2200 Lower Only	1
28	00301700	Heater Block, Upper	1
29	00400300	Hex Pivot	2
30	00400500	Connector Bar	1
31	00100600	4-way Control Valve	1
32	00400700	Ball Joint	2
33	00400900	GRIP COVER, HANDLE	2
34	00401000	Handle	2
35	00500200	Travel Plate	2
36	00500300	Pusher	1
37	00500400	Shaft Collar	2
38	00500600	COLUMN, 2200	2
39	00501100	Die Bolt, Long	1
40	00501200	Die Bolt Spacer	1
41	00501300	Die Bolt, Short	1
42	00501700	Bearing Clip	12
43	00501800	Bearing Assembly	4
44	00501900	Oil Reservoir	1
45	00502200	Horseshoe	1
46	00502600	Crown	1
47	00502700	Glidefoot	4
48	00503000	Nameplate	1
49	00503100	Base Assembly	1
50	00503200	Base Cover Assembly	1
51	00600170	Pusher Locknut	1
52	00600415	Die Bolt Washer	2
53	00200100	ELECTRICAL PANEL Model 1100, 120V	1
54	00203700	On/Off Switch Plate	1
55	00204000	TERMINAL STRIP, 6 Pole	1
56	00203300	On/Off Rocker Switch	1
57	90200100	Electrical Panel Cover	1
58	90200102	Electrical Panel Cover, Sheetmetal	1
59	90200104	Electrical Panel Cover, Backplate	1
60	00204700	Fuseholder	1
61	00204900	Fuse, 10A 250 V	1



PROPRIETARY AND CONFIDENTIAL

THE INFORMATION CONTAINED IN THIS DRAWING IS THE SOLE PROPERTY OF COMTEC INDUSTRIES LTD. ANY REPRODUCTION IN PART OR AS A WHOLE WITHOUT THE WRITTEN PERMISSION OF COMTEC INDUSTRIES LTD IS PROHIBITED.

		DIMENSIONS ARE IN INCHES TOLERANCES: FRACTIONAL ± ANGULAR: MACH ± BEND ± TWO PLACE DECIMAL ± THREE PLACE DECIMAL ±		NAME	DATE
		MATERIAL		DRAWN	14NO12
		FINISH		CHECKED	
NEXT ASSY		USED ON		ENG APPR.	
APPLICATION		DO NOT SCALE DRAWING		MFG APPR.	
				Q.A.	
				COMMENTS:	

Model 2200, 60 Hz

SIZE	DWG. NO.	REV.
A	200D2460	B
SCALE: 1:20	WEIGHT:	SHEET 5 OF 5