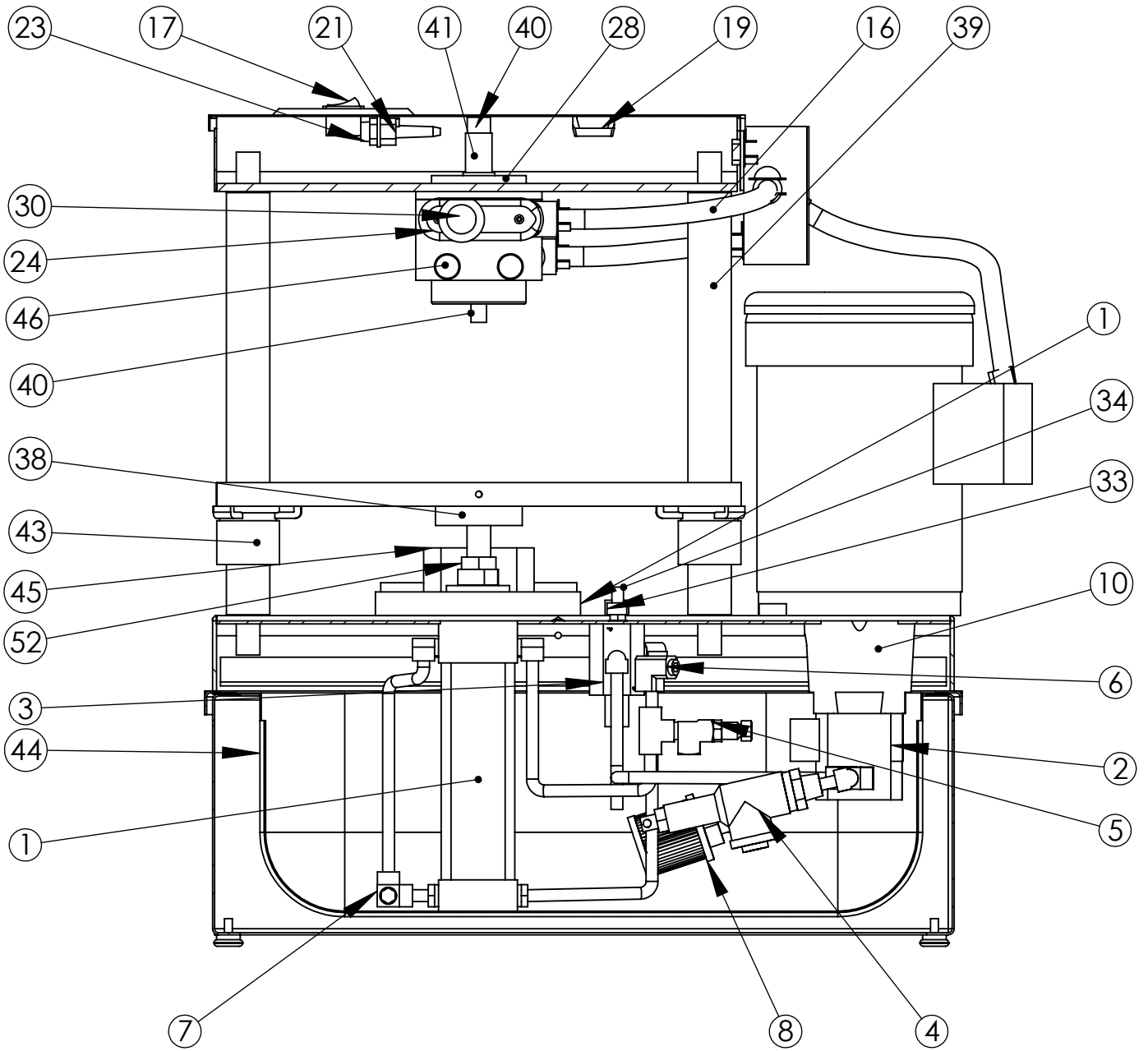


PROPRIETARY AND CONFIDENTIAL
 THE INFORMATION CONTAINED IN THIS DRAWING IS THE SOLE PROPERTY OF COMTEC INDUSTRIES LTD. ANY REPRODUCTION IN PART OR AS A WHOLE WITHOUT THE WRITTEN PERMISSION OF COMTEC INDUSTRIES LTD IS PROHIBITED.

		DIMENSIONS ARE IN INCHES TOLERANCES: FRACTIONAL ± ANGULAR: MACH ± BEND ± TWO PLACE DECIMAL ± THREE PLACE DECIMAL ±		NAME	DATE
		MATERIAL		DRAWN	jmr 06NO09
		FINISH		CHECKED	
NEXT ASSY	USED ON			ENG APPR.	
APPLICATION		DO NOT SCALE DRAWING		MFG APPR.	
				Q.A.	
				COMMENTS:	
		Model 1100, 60 Hz			
		SIZE	DWG. NO.	REV.	
		A	100D1260	A	
		SCALE:1:20	WEIGHT:	SHEET 1 OF 5	

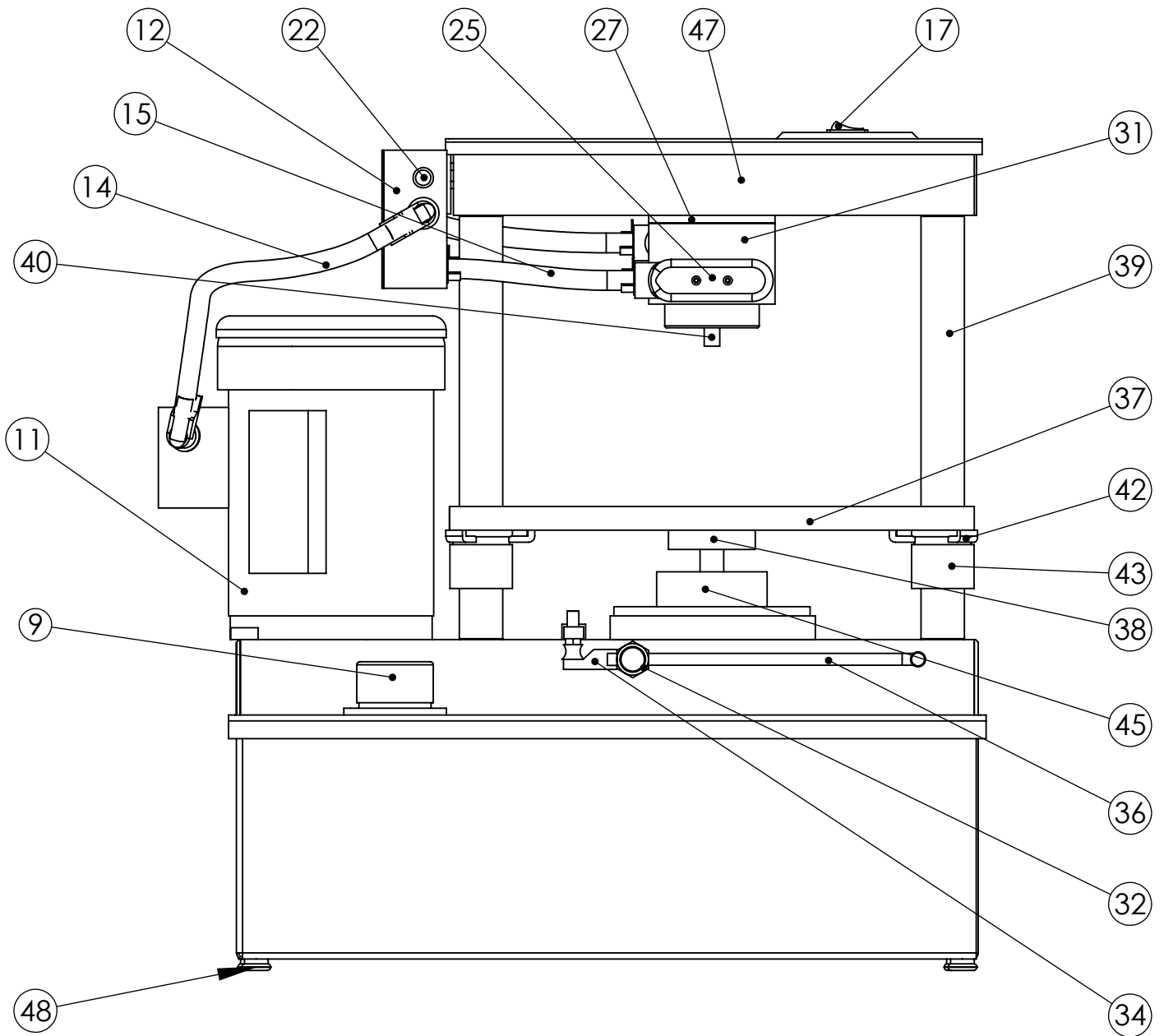


PROPRIETARY AND CONFIDENTIAL
 THE INFORMATION CONTAINED IN THIS DRAWING IS THE SOLE PROPERTY OF COMTEC INDUSTRIES LTD. ANY REPRODUCTION IN PART OR AS A WHOLE WITHOUT THE WRITTEN PERMISSION OF COMTEC INDUSTRIES LTD IS PROHIBITED.

		DIMENSIONS ARE IN INCHES TOLERANCES: FRACTIONAL ± ANGULAR: MACH ± BEND ± TWO PLACE DECIMAL ± THREE PLACE DECIMAL ±	
		MATERIAL	
NEXT ASSY	USED ON	FINISH	
APPLICATION		DO NOT SCALE DRAWING	

	NAME	DATE
DRAWN	jmr	06NO09
CHECKED		
ENG APPR.		
MFG APPR.		
Q.A.		
COMMENTS:		

<h1>Model 1100, 60 Hz</h1>		
SIZE	DWG. NO.	REV.
A	100D1260	A
SCALE: 1:20	WEIGHT:	SHEET 2 OF 5

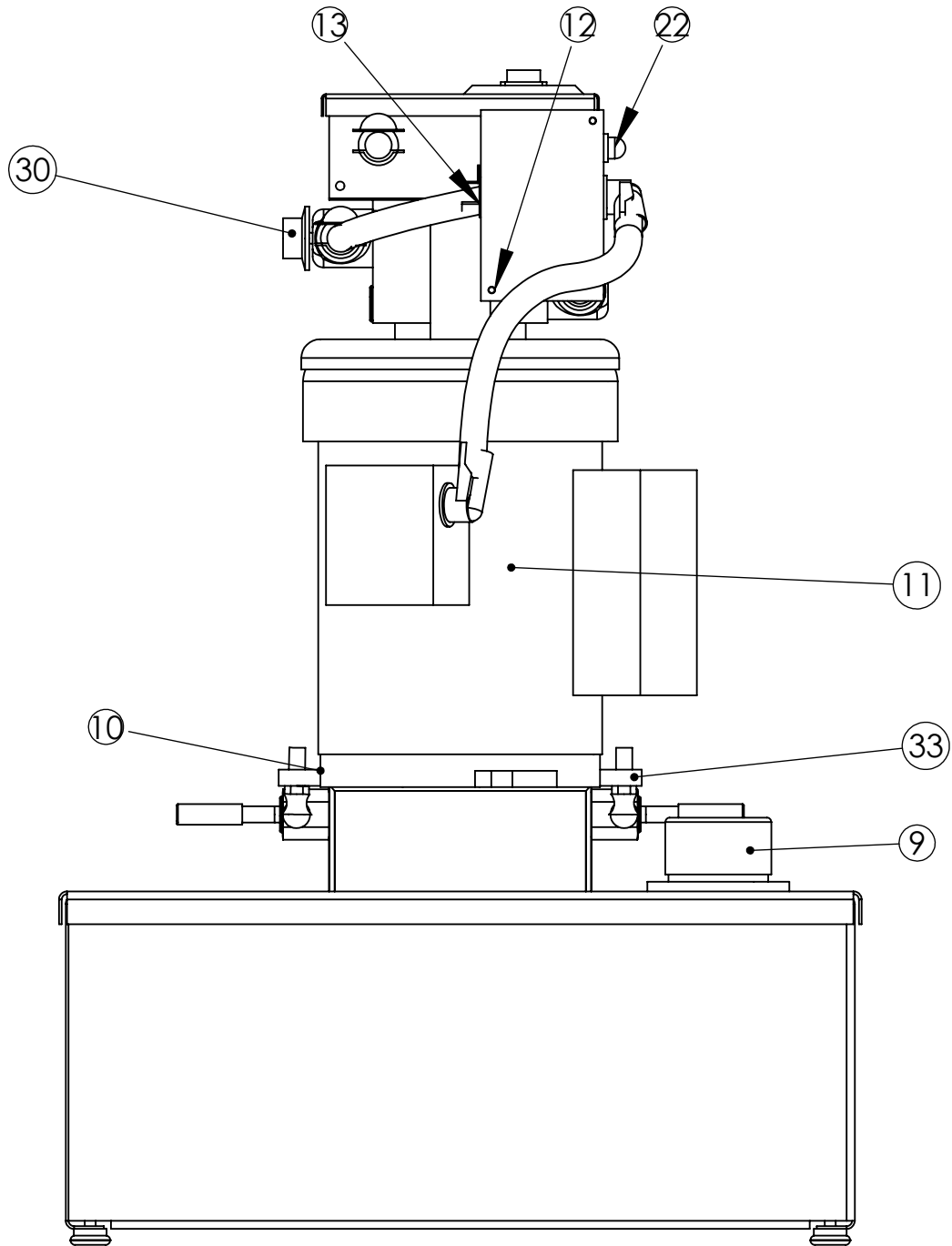


PROPRIETARY AND CONFIDENTIAL
 THE INFORMATION CONTAINED IN THIS DRAWING IS THE SOLE PROPERTY OF COMTEC INDUSTRIES LTD. ANY REPRODUCTION IN PART OR AS A WHOLE WITHOUT THE WRITTEN PERMISSION OF COMTEC INDUSTRIES LTD IS PROHIBITED.

			DIMENSIONS ARE IN INCHES TOLERANCES: FRACTIONAL ± ANGULAR: MACH ± BEND ± TWO PLACE DECIMAL ± THREE PLACE DECIMAL ±
			MATERIAL
			FINISH
NEXT ASSY	USED ON		
APPLICATION		DO NOT SCALE DRAWING	

	NAME	DATE
DRAWN	jmr	06NO09
CHECKED		
ENG APPR.		
MFG APPR.		
Q.A.		
COMMENTS:		

<h1>Model 1100, 60 Hz</h1>		
SIZE	DWG. NO.	REV.
A	100D1260	A
SCALE: 1:20	WEIGHT:	SHEET 3 OF 5



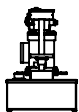
PROPRIETARY AND CONFIDENTIAL
 THE INFORMATION CONTAINED IN THIS DRAWING IS THE SOLE PROPERTY OF COMTEC INDUSTRIES LTD. ANY REPRODUCTION IN PART OR AS A WHOLE WITHOUT THE WRITTEN PERMISSION OF COMTEC INDUSTRIES LTD IS PROHIBITED.

		DIMENSIONS ARE IN INCHES TOLERANCES: FRACTIONAL ± ANGULAR: MACH ± BEND ± TWO PLACE DECIMAL ± THREE PLACE DECIMAL ±
		MATERIAL
NEXT ASSY	USED ON	FINISH
APPLICATION		DO NOT SCALE DRAWING

	NAME	DATE
DRAWN	jmr	06NO09
CHECKED		
ENG APPR.		
MFG APPR.		
Q.A.		
COMMENTS:		

<h1>Model 1100, 60 Hz</h1>		
SIZE	DWG. NO.	REV.
A	100D1260	A
SCALE: 1:20	WEIGHT:	SHEET 4 OF 5

ITEM NO.	PART NUMBER	DESCRIPTION	QTY.
1	00100300	Hydraulic Cylinder	1
2	00100500	Pump, Hydraulic	1
3	00100600	4-way Control Valve	1
4	00100700	Valve, High Relief	1
5	00100800	Valve, Low Relief	1
6	00101150	Valve, 4 way Check	1
7	00101200	Valve, Cylinder Check	1
8	00101300	Suction Strainer	1
9	00101400	Filler Breather Assembly	1
10	00101500	Pump Spacer	1
11	00200200	Electric Motor, Model 1100 60 Hz	1
12	00201100	Junction Box, Model 1100, 60 Hz	1
13	00201200	Electrical Junction Box Cover	1
14	00201405	Motor Conduit, Model 1100, 60 Hz	1
15	00201410	Heater Conduit, Model 1100, 60 Hz	1
16	00201415	Thermostat Conduit, Model 1100, 60Hz	1
17	00203300	On/Off Rocker Switch	1
18	00203700	On/Off Switch Plate	1
19	00204000	TERMINAL STRIP, 6 Pole	1
20	00204200	TERMINAL STRIP, 2 Pole	1
21	00204700	Fuseholder	1
22	00204800	Indicator Light, Red	1
23	00204900	Fuse, 10A 250 V	1
24	00300000	Thermostat Cover	1
25	00300100	Heater Cover	1
26	00300300	Heating Element, 120V	2
27	00301100	Insulator, Outer Crown	1
28	00301200	Insulator, Inner Crown	1
29	00301300	Thermostat	1
30	00301500	Dial Knob	1
31	00301700	Heater Block, Upper	1
32	00400300	Hex Pivot	2
33	00400500	Connector Bar	1
34	00400700	Ball Joint	2
35	00400900	GRIP COVER, HANDLE	2
36	00401000	Handle	2
37	00500200	Travel Plate	1
38	00500300	Pusher	1
39	00500500	COLUMN, 1100	2
40	00501100	Die Bolt, Long	1
41	00501200	Die Bolt Spacer	1
42	00501700	Bearing Clip	6
43	00501800	Bearing Assembly	2
44	00501900	Oil Reservoir	1
45	00502200	Horseshoe	1
46	00502300	Plug Button, Heater Block	4
47	00502600	Crown	1
48	00502700	Glidefoot	4
49	00503000	Nameplate	1
50	00503100	Base Assembly	1
51	00503200	Base Cover Assembly	1
52	00600170	Pusher Locknut	1
53	00600415	Die Bolt Washer	1
54	90200100	Electrical Panel Cover	1



PROPRIETARY AND CONFIDENTIAL

THE INFORMATION CONTAINED IN THIS DRAWING IS THE SOLE PROPERTY OF COMTEC INDUSTRIES LTD. ANY REPRODUCTION IN PART OR AS A WHOLE WITHOUT THE WRITTEN PERMISSION OF COMTEC INDUSTRIES LTD IS PROHIBITED.

		DIMENSIONS ARE IN INCHES TOLERANCES: FRACTIONAL ± ANGULAR: MACH ± BEND ± TWO PLACE DECIMAL ± THREE PLACE DECIMAL ±		NAME	DATE	<h1>Model 1100, 60 Hz</h1>
		MATERIAL		DRAWN	jmr 06NO09	
		FINISH		CHECKED		
		NEXT ASSY USED ON		ENG APPR.		
		APPLICATION		MFG APPR.		
		DO NOT SCALE DRAWING		Q.A.		
				COMMENTS:		
				SIZE	DWG. NO.	REV.
				A	100D1260	A
				SCALE:1:20	WEIGHT:	SHEET 5 OF 5